

The SP5055 is a single chip frequency synthesiser designed for TV tuning systems. Control data is entered in the standard I²C BUS format. The device contains 4 addressable current limited outputs and 4 addressable Bi-Directional open collector ports one of which is a 3 bit ADC. The information on these ports can be read via the I²C BUS. The device has one fixed I²C BUS address and 3 programmable addresses, programmed by applying a specific input voltage to one of the current limited outputs. This enables 2 or more synthesisers to be used in a system.

FEATURES

- Complete 2.6GHz Single Chip System
- Programmable via I²C BUS
- Low power consumption (5V 65mA)
- Low Radiation
- Phase Lock Detector
- Varactor Drive Amp Disable
- 6 Controllable Outputs, 4 Bi-Directional
- 5 Level ADC
- Variable I²C BUS Address For Multi Tuner Applications
- Full ESD Protection*

* Normal ESD handling procedures should be observed.

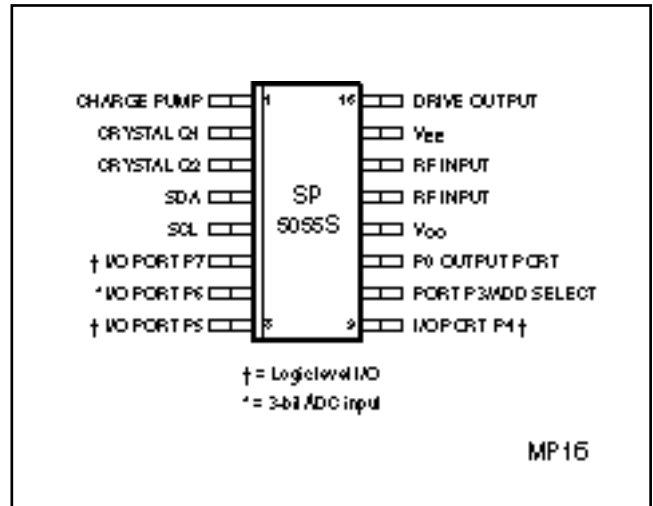


Fig. 1 Pin connections – top view

APPLICATIONS

- Satellite TV
- High IF Cable Tuning Systems

ORDERING INFORMATION

SP5055S MP - (16 lead Miniature Plastic package)

ELECTRICAL CHARACTERISTICS

$T_{amb} = -20^{\circ}\text{C}$ to $+80^{\circ}\text{C}$, $V_{CC} = +4.7\text{V}$ to 5.3V .

These Characteristics are guaranteed by either production test or design. They apply within the specified ambient temperature and supply voltage unless otherwise stated. Reference frequency = 4MHz unless otherwise stated.

Characteristic	Pin	Value			Units	Conditions
		Min.	Typ.	Max.		
Supply current	12		65	80	mA	$V_{CC} = 5\text{V}$ 500MHz to 2.6GHz Sinewave 120MHz, see Fig. 5
Prescaler input voltage	13, 14	50		300	mV _{RMS}	
Prescaler input voltage	13, 14	100		300	mV _{RMS}	
Prescaler input impedance	13, 14		50			
Prescaler input capacitance				2		
SDA, SCL						
Input high voltage	4, 5	3		5.5	V	Input voltage = V_{CC} Input voltage = 0V When $V_{CC} = 0\text{V}$
Input low voltage	4, 5	0		1.5	V	
Input high current	4, 5			10	μA	
Input low current	4, 5			-10	μA	
Leakage current	4, 5			10	μA	
SDA						
Output voltage	4			0.4	V	$I_{\text{sink}} = 3\text{mA}$
Charge pump current low	1		± 50		μA	Byte 4, bit 2 = 0, pin 1 = 2V
Charge pump current high	1		± 170		μA	Byte 4, bit 2 = 1, pin 1 = 2V
Charge pump output leakage current	1			± 5	nA	Byte 4, bit 4 = 1, pin 1 = 2V
Charge pump drive output current	16	500			μA	$V_{\text{pin } 16} = 0.7\text{V}$
Charge pump amplifier gain			6400			
Recommended crystal series resistance		10		200		mVp-p
Crystal oscillator drive level	2		80			
Crystal oscillator negative resistance	2	750				
Output Ports						
P0, P3 sink current	10, 11	0.7	1	1.5	mA	$V_{\text{OUT}} = 12\text{V}$
P0, P3 leakage current	10, 11			10	μA	$V_{\text{OUT}} = 13.2\text{V}$
P4-P7 sink current	9-6	10			mA	$V_{\text{OUT}} = 0.7\text{V}$
P4-P7 leakage current	9-6			10	μA	$V_{\text{OUT}} = 13.2\text{V}$
Input Ports						
P3 input current high	10			+10	μA	$V_{\text{pin } 10} = 13.2\text{V}$
P3 input current low	10			-10	μA	$V_{\text{pin } 10} = 0\text{V}$
P4,P5,P7 input voltage low	9,8,6			0.8	V	See Table 3 for ADC Levels
P4,P5,P7 input voltage high	9,8,6	2.7			V	
P6 input current high	7			+10	μA	
P6 input current low	7			-10	μA	

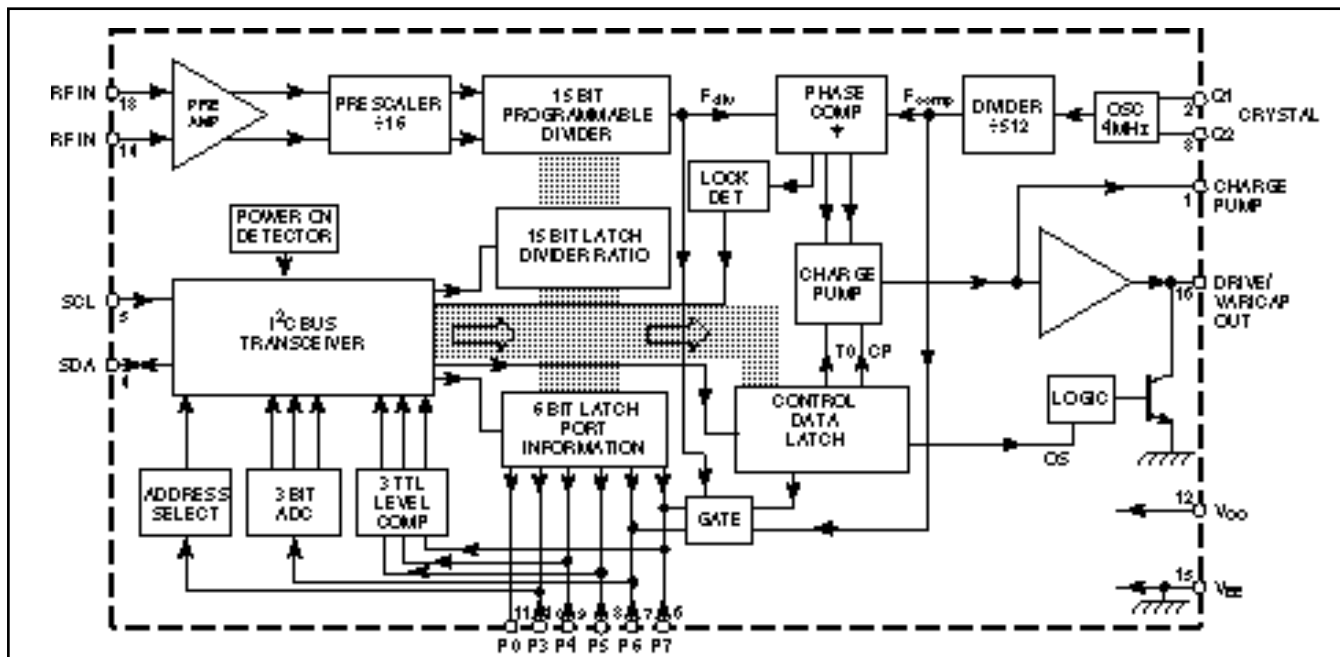


Fig. 2 Block diagram

FUNCTIONAL DESCRIPTION

The SP5055 is programmed from an I²C BUS. Data and Clock are fed in on the SDA and SCL lines respectively as defined by the I²C BUS format. The synthesiser can either accept new data (write mode) or send data (read mode). The Tables in Fig. 3 illustrate the format of the data. The device can be programmed to respond to several addresses, which enables the use of more than one synthesiser in an I²C Bus system. Table 4 shows how the address is selected by applying a voltage to P3. The last bit of the address byte (R/W) sets the device into read mode if it is high and write mode if it is low. When the SP5055 receives a correct address byte it pulls the SDA line low during the acknowledge period and during following acknowledge periods after further data bytes are programmed. When the SP5055 is programmed into the read mode the controlling device accepting the data must pull down the SDA line during the following acknowledge period to read another status byte.

WRITE MODE (FREQUENCY SYNTHESIS)

When the device is in the write mode Bytes 2 + 3 select the synthesised frequency while bytes 4 + 5 select the output port states and charge pump information.

Once the correct address is received and acknowledged, the first Bit of the next Byte determines whether that byte is interpreted as byte 2 or 4, a logic 0 for frequency information and a logic 1 for charge pump and output port information. Additional data bytes can be entered without the need to re-address the device until an I²C stop condition is recognised. This allows a smooth frequency sweep for fine tuning or AFC purposes.

If the transmission of data is stopped mid-byte (i.e., by another device on the bus) then the previously programmed byte is maintained.

Frequency data from bytes 2 and 3 is stored in a 15-bit shift register and is used to control the division ratio of the 15-bit programmable divider which is preceded by a divide-by-16 prescaler and amplifier to give excellent sensitivity at the local oscillator input; see Fig 5. The input impedance is shown in Fig 7.

The programmed frequency can be calculated by multiplying the programmed division ratio by 16 times the comparison frequency F_{comp} .

When frequency data is entered, the phase comparator, via the charge pump and varactor drive amplifier, adjusts the local oscillator control voltage until the output of the programmable divider is frequency and phase locked to the comparison frequency.

The reference frequency may be generated by an external source capacitively coupled into pin 2 or provided by an on-board 4MHz crystal controlled oscillator.

Note that the comparison frequency is 7.8125kHz when a 4MHz reference is used.

Bit 2 of byte 4 of the programming data (CP) controls the current in the charge pump circuit, a logic 1 for $\pm 170\mu A$ and a logic 0 for $\pm 50\mu A$, allowing compensation for the variable tuning slope of the tuner and also to enable fast channel changes over the full band. Bit 4 of byte 4 (T0) disables the charge pump if set to a logic 1. Bit 8 of byte 4 (OS) switches the charge pump drive amplifier's output off when it is set to a logic 1. Bit 3 of Byte 4 (T1) selects a test mode where the phase comparator inputs are available on P6 and P7, a logic 1 connects F_{comp} to P6 and F_{div} to P7.

Byte 5 programs the output ports P0 to P7; on a logic 0 for a high impedance output, logic 1 for low impedance (on).

READ MODE

When the device is in the read mode the status data read from the device on the SDA line takes the form shown in Table 2.

Bit 1 (POR) is the power-on reset indicator and is set to a logic 1 if the power supply to the device has dropped below 3V and the programmed information lost (e.g., when the device is initially turned on). The POR is set to 0 when the read sequence is terminated by a stop command. The outputs are all set to high impedance when the device is initially powered up. Bit 2 (FL) indicates whether the device is phase locked, a logic 1 is present if the device is locked and a logic 0 if the device is unlocked.

Bits 3, 4 and 5 (I2,I1,I0) show the status of the I/O Ports P7, P5 and P4 respectively. A logic 0 indicates a low level and a logic 1 a high level. If the ports are to be used as inputs they should be programmed to a high impedance state (logic 1). These inputs will then respond to data complying with TTL type voltage levels. Bits 6, 7 and 8 (A2,A1,A0) combine to give the output of the 5 level ADC.

The 5 level ADC can be used to feed AFC information to the microprocessor from the IF section of the receiver, as illustrated in the typical application circuit.

APPLICATION

A typical Application is shown in Fig. 4. All input/output interface circuits are shown in Fig. 6.

	MSB					LSB				
Address	1	1	0	0	0	MA1	MA0	0	A	Byte 1
Programmable divider	0	2 ¹⁴	2 ¹³	2 ¹²	2 ¹¹	2 ¹⁰	2 ⁹	2 ⁸	A	Byte 2
Programmable divider	2 ⁷	2 ⁶	2 ⁵	2 ⁴	2 ³	2 ²	2 ¹	2 ⁰	A	Byte 3
Charge pump and test bits	1	CP	T1	T0	1	1	1	OS	A	Byte 4
I/O port control bits	P7	P6	P5	P4	P3	X	X	P0	A	Byte 5

Table 1 Write data format (MSB transmitted first)

Address	1	1	0	0	0	MA1	MA0	1	A	Byte 1
Status byte	POR	FL	I2	I1	I0	A2	A1	A0	A	Byte 2

Table 2 Read data format (MSB is transmitted first)

- A** : Acknowledge bit
- MA1, MA0** : Variable address bits (see Table 4)
- CP** : Charge Pump current select
- T1** : Test mode selection
- T0** : Charge pump disable
- OS** : Varactor drive Output disable Switch
- P7, P6, P5, P4, P3, P0** : Control output states
- POR** : Power On Reset indicator
- FL** : Phase lock detect flag
- I2, I1, I0** : Digital information from Ports P7, P5 and P4, respectively
- A2, A1, A0** : 5 Level ADC data from P6 (see Table 3)
- X** : Don't care

A2	A1	A0	Voltage input to P6
1	0	0	0.6V _{CC} to 13.2V
0	1	1	0.45V _{CC} to 0.6V _{CC}
0	1	0	0.3V _{CC} to 0.45V _{CC}
0	0	1	0.15V _{CC} to 0.3V _{CC}
0	0	0	0 to 0.15V _{CC}

Table 3 ADC levels

MA1	MA0	Voltage input to P3
0	0	0V to 0.2V _{CC}
0	1	Always valid
1	0	0.3V _{CC} to 0.7V _{CC}
1	1	0.8V _{CC} -13.2V

Table 4 Address selection

Fig. 3 Data formats

APPLICATION

A typical application is shown in Fig. 4. All input/output interface circuits are shown in Fig. 6.

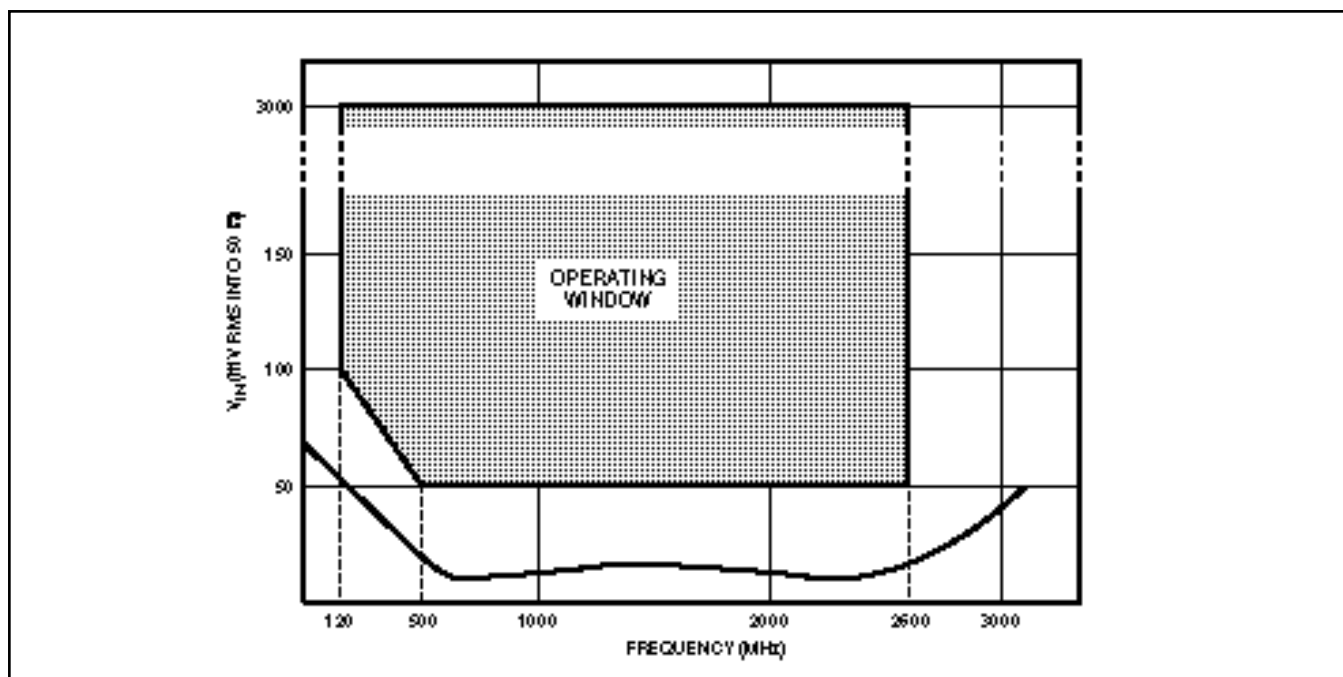
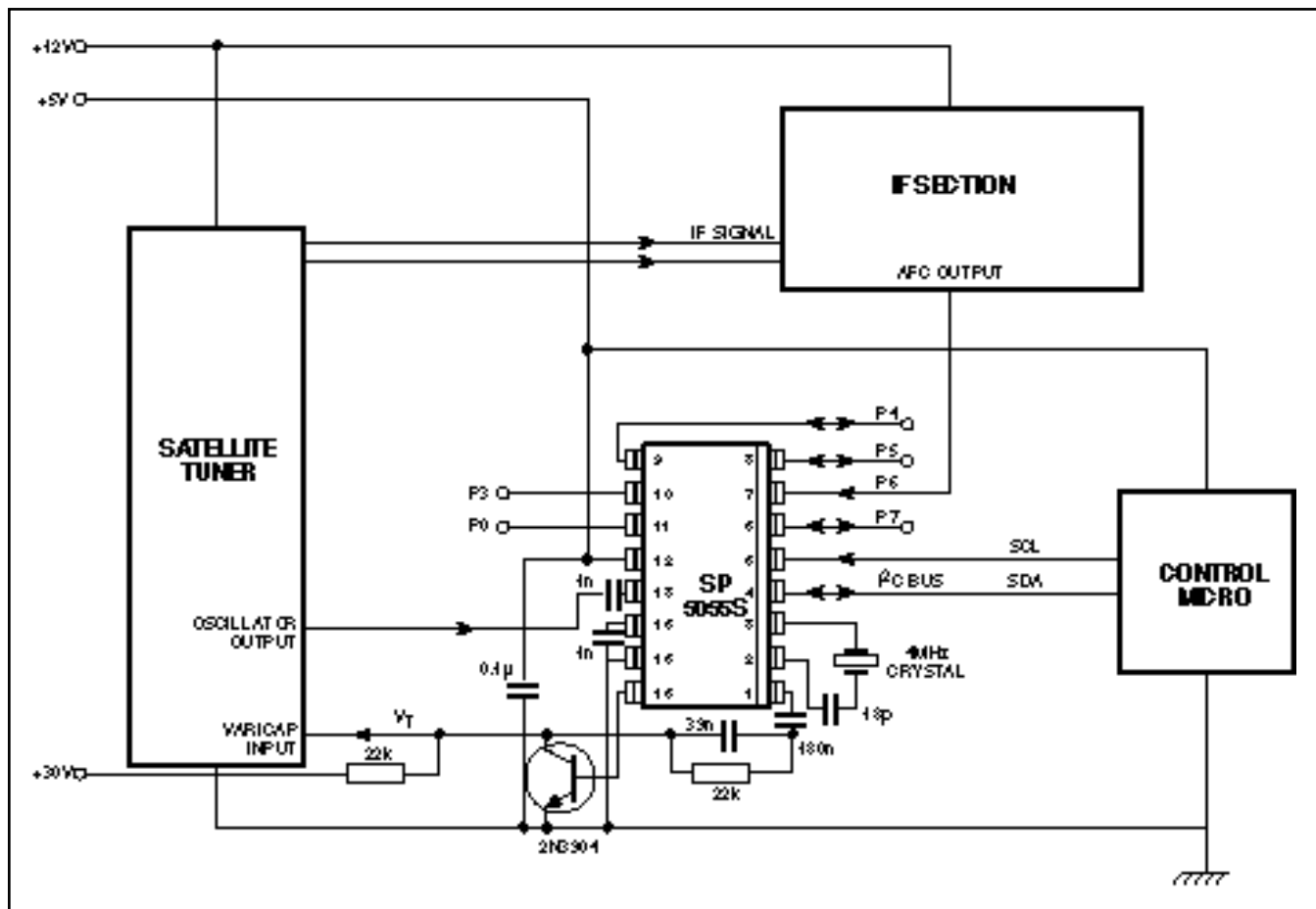
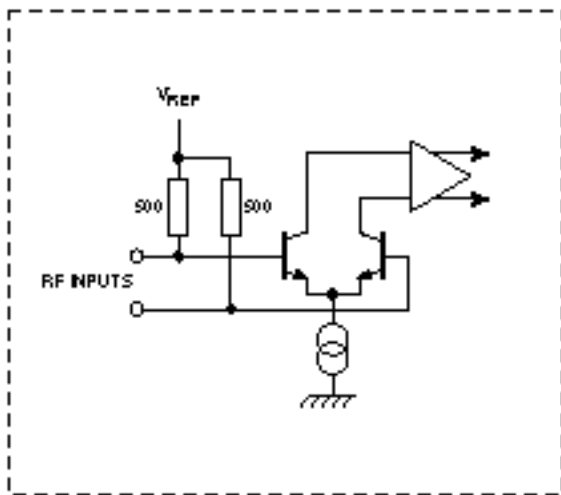
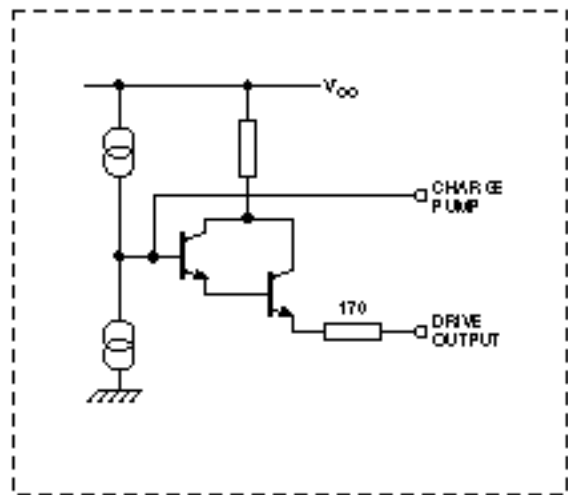


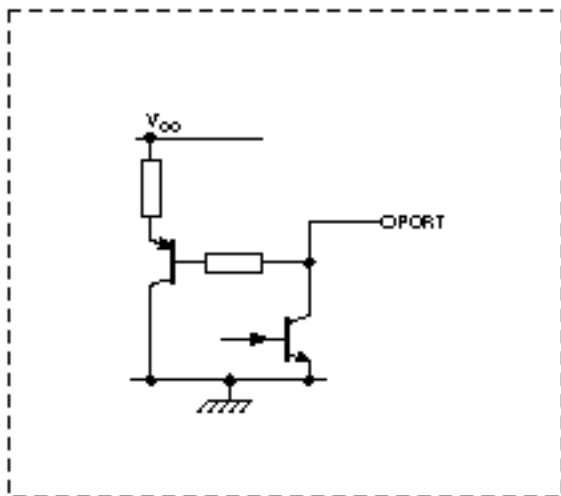
Fig. 5 Typical input sensitivity



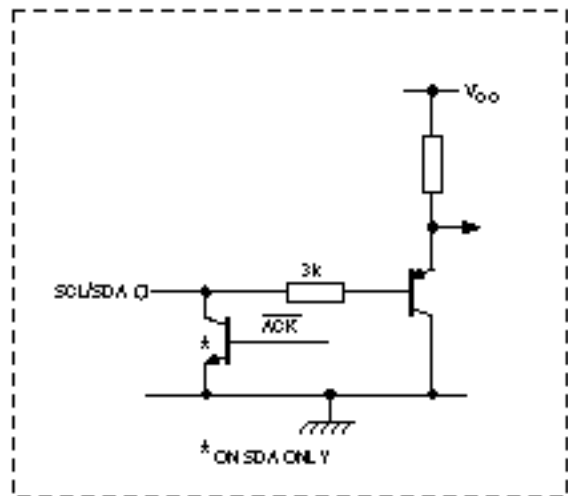
RF input



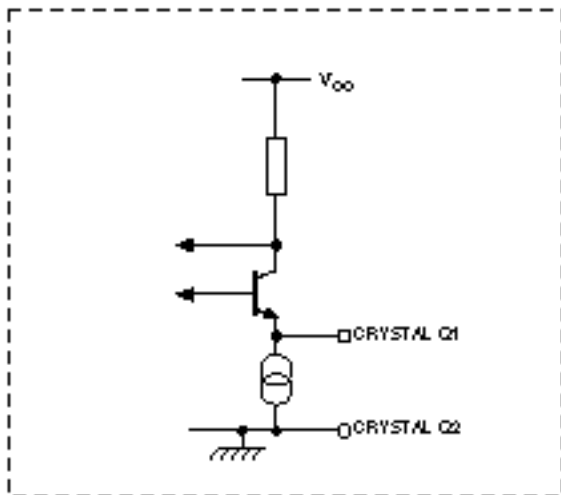
Loop amplifier



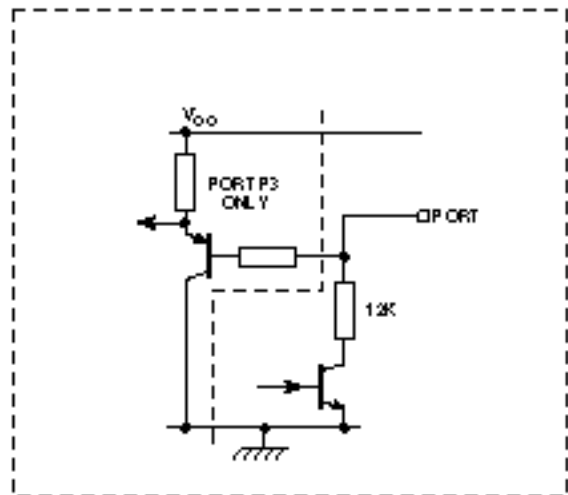
Ports P7-P4



SCL and SDA inputs



Reference oscillator



Ports P0 and P3

Fig. 6 SP5055 Input/output interface circuits

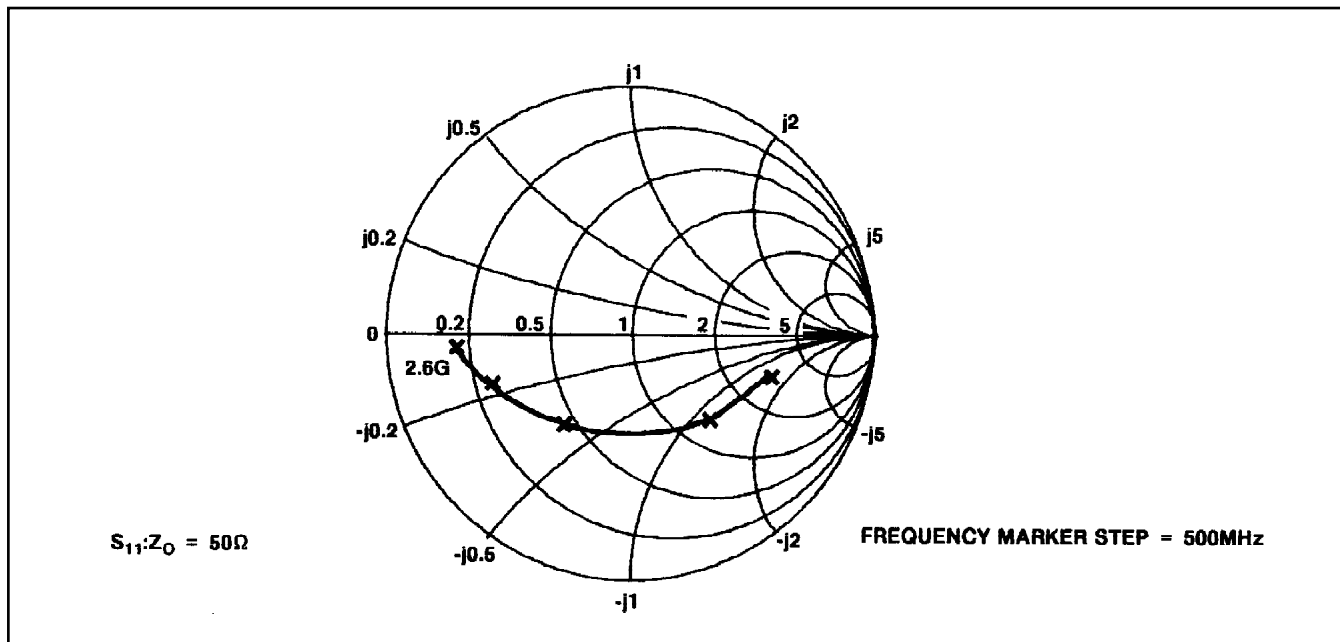
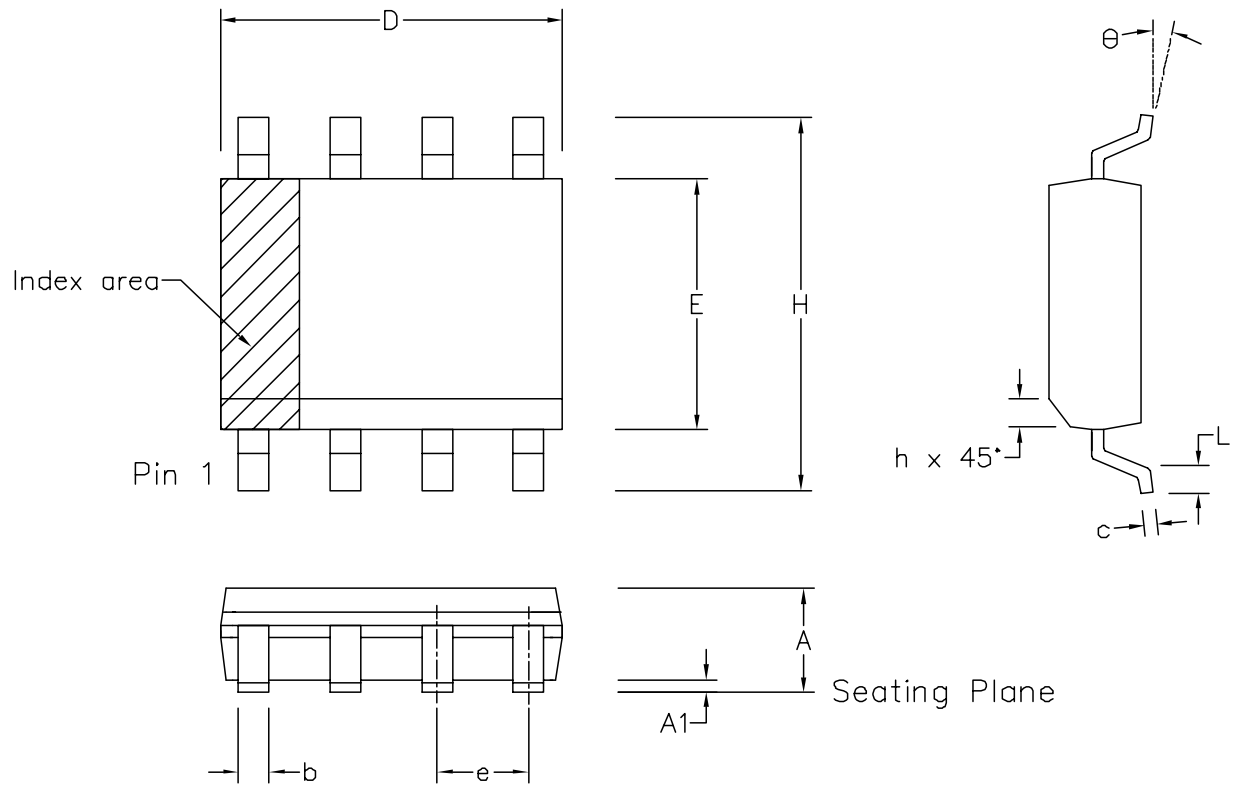


Fig. 7 Typical input impedance

ABSOLUTE MAXIMUM RATINGS

All voltages are referred to V_{EE} and pin 3 at 0V

Parameter	Pin	Value		Units	Conditions
		Min.	Max.		
Supply voltage	12	-0.3	7	V	
RF input voltage	13, 14		2.5	Vp-p	
Port voltage	6-11	-0.3	14	V	Port in off state
	6-9	-0.3	6	V	Port in on state
	10, 11	-0.3	14	V	Port in on state
Total port output current	6-11		50	mA	
RF input DC offset	13, 14	-0.3	$V_{CC}+0.3$	V	
Charge pump DC offset	1	-0.3	$V_{CC}+0.3$	V	
Drive DC offset	16	-0.3	$V_{CC}+0.3$	V	
Crystal oscillator DC offset	2	-0.3	$V_{CC}+0.3$	V	
SDA, SCL input voltage	4, 5	-0.3	$V_{CC}+0.3$	V	With V_{CC} applied V_{CC} not applied
		-0.3	5.5	V	
Storage temperature		-55	+125	°C	
Junction temperature			+150	°C	
MP 16 Thermal resistance, chip-to-ambient			111	°C/W	
MP 16 Thermal resistance, chip-to-case			41	°C/W	
Power consumption at 5.5V			440	mW	All ports off



	Min mm	Max mm	Min inch	Max inch
A	1.35	1.75	0.053	0.069
A1	0.10	0.25	0.004	0.010
D	9.80	10.00	0.386	0.394
H	5.80	6.20	0.228	0.244
E	3.80	4.00	0.150	0.157
L	0.40	1.27	0.016	0.050
e	1.27 BSC		0.050 BSC	
b	0.33	0.51	0.013	0.020
c	0.19	0.25	0.008	0.010
O	0°	8°	0°	8°
h	0.25	0.50	0.010	0.020
Pin Features				
N	16		16	
Conforms to JEDEC MS-012AC Iss. C				

Notes:

1. The chamfer on the body is optional. If it not present, a visual index feature, e.g. a dot, must be located within the cross-hatched area.
2. Controlling dimension are in inches.
3. Dimension D do not include mould flash, protusion or gate burrs. These shall not exceed 0.006" per side.
4. Dimension E1 do not include inter-lead flash or protusion. These shall not exceed 0.010" per side.
5. Dimension b does not include dambar protusion/intrusion. Allowable dambar protusion shall be 0.004" total in excess of b dimension.

© Mitel						MITEL SEMICONDUCTOR
ISSUE	1	2	3	4		
ACN	006745	201938	202597	203706		
DATE	7APR95	27FEB97	12JUN97	9DEC97		
APPROVED						

ORIGINATING SITE: SWINDON
Title: Package Outline Drawing for 16 Ids SOIC(N)-0.150" Body Width (MP)
Drawing Number GPD00012



<http://www.mitelsemi.com>

World Headquarters - Canada

Tel: +1 (613) 592 2122

Fax: +1 (613) 592 6909

North America

Tel: +1 (770) 486 0194

Fax: +1 (770) 631 8213

Asia/Pacific

Tel: +65 333 6193

Fax: +65 333 6192

**Europe, Middle East,
and Africa (EMEA)**

Tel: +44 (0) 1793 518528

Fax: +44 (0) 1793 518581

Information relating to products and services furnished herein by Mitel Corporation or its subsidiaries (collectively Mitel) is believed to be reliable. However, Mitel assumes no liability for errors that may appear in this publication, or for liability otherwise arising from the application or use of any such information, product or service or for any infringement of patents or other intellectual property rights owned by third parties which may result from such application or use. Neither the supply of such information or purchase of product or service conveys any license, either express or implied, under patents or other intellectual property rights owned by Mitel or licensed from third parties by Mitel, whatsoever. Purchasers of products are also hereby notified that the use of product in certain ways or in combination with Mitel, or non-Mitel furnished goods or services may infringe patents or other intellectual property rights owned by Mitel.

This publication is issued to provide information only and (unless agreed by Mitel in writing) may not be used, applied or reproduced for any purpose nor form part of any order or contract nor to be regarded as a representation relating to the products or services concerned. The products, their specifications, services and other information appearing in this publication are subject to change by Mitel without notice. No warranty or guarantee express or implied is made regarding the capability, performance or suitability of any product or service. Information concerning possible methods of use is provided as a guide only and does not constitute any guarantee that such methods of use will be satisfactory in a specific piece of equipment. It is the user's responsibility to fully determine the performance and suitability of any equipment using such information and to ensure that any publication or data used is up to date and has not been superseded. Manufacturing does not necessarily include testing of all functions or parameters. These products are not suitable for use in any medical products whose failure to perform may result in significant injury or death to the user. All products and materials are sold and services provided subject to Mitel's conditions of sale which are available on request.

Purchase of Mitel Semiconductor's I²C components conveys a licence under the Philips I²C Patent rights to use these components in an I²C System, provided that the system conforms to the I²C Standard Specification as defined by Philips

Mitel, M Mitel and other "Mitel" licensed marks are owned by Mitel Networks Corporation used under license
Mitel Semiconductor is an ISO 9001 Registered Company
Copyright 2001 MITEL Corporation
All Rights Reserved

TECHNICAL DOCUMENTATION - NOT FOR RESALE